

**Only**

**FONTAINE®**

**Gives You the TechLock® System Advantage**

CD 700  
**Custom Duty  
Fifth Wheel**



- Very simple to operate and maintain
- Offered in either a stationary or air slide mount
- Weighs only 135 lbs

  
**FONTAINE**  
FIFTH WHEEL®

# CD 700 CUSTOM DUTY SCHEMATIC

## SLTPLCD700

(Left Side Release Only)

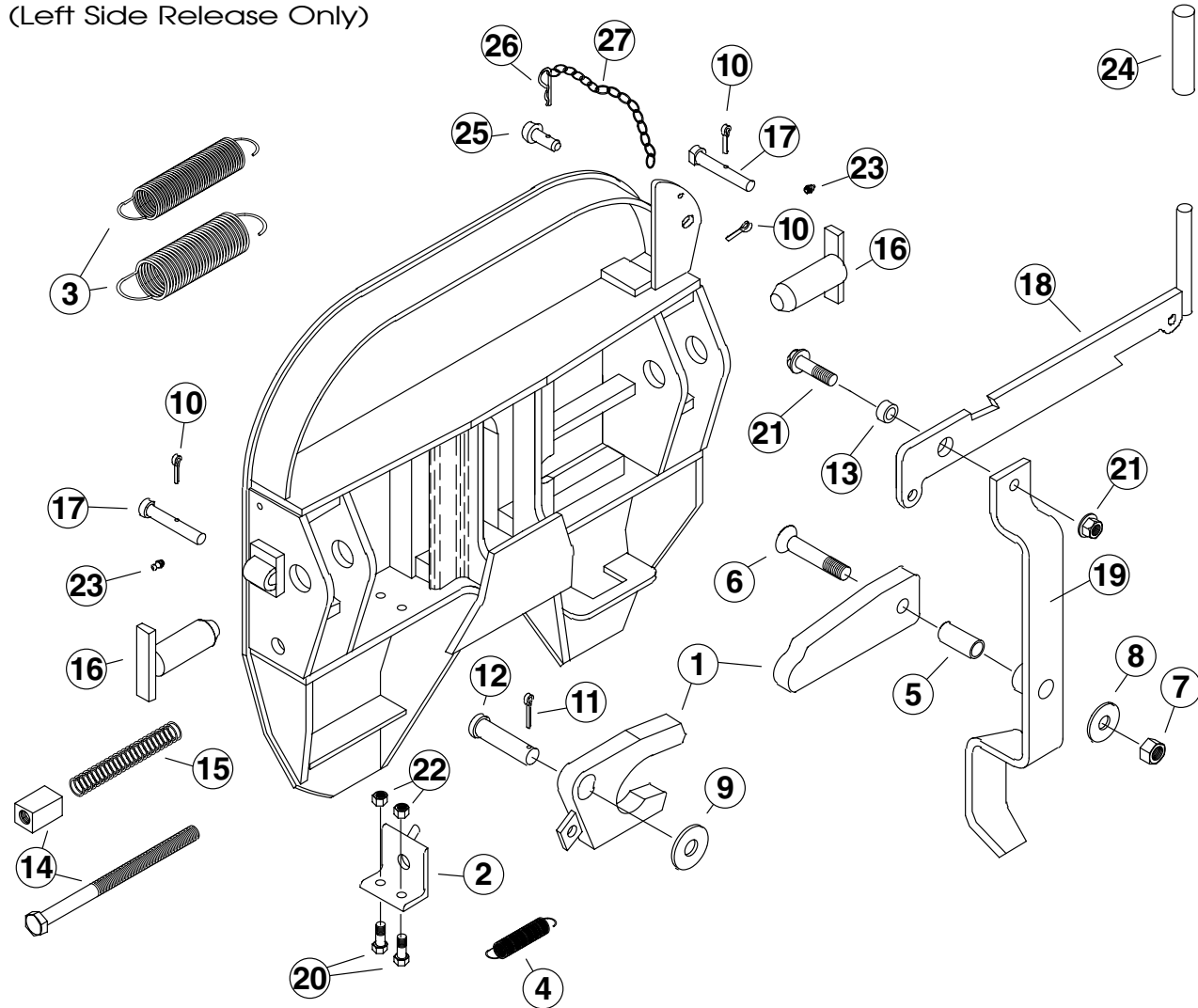


Illustration SLTPLCD700

### Features:

- Very simple to operate and maintain
- Offered in either a stationary or air slide mount
- Use where weight and space is an issue
- Perfect product for customers in the light commercial industry
- Preferred fifth wheel for most car trailer manufacturers
- Weighs only 135 lbs
- Couples to a 2" kingpin
- 25,000 lbs. maximum vertical (kingpin) load
- 75,000 lbs. maximum drawbar (towed) load
- Fontaine International, Inc. warrants each Custom Duty model CD700 fifth wheel sold in North America on or after January 1, 2002, to be free from defects in material and workmanship for two years from the date of sale. See the Custom Duty Warranty Certificate LT-074 for complete details.

# CD 700 CUSTOM DUTY SCHEMATIC DESCRIPTION

Item No.	Description	Part Number	Quantity
①	Jaw and Wedge Set	CD-WED-213-214	1
②	Wedge Stop Rod Guide	CD-RGD-221	1
③	Pull Handle Spring Set	CD-SPR-227-228	1
④	Jaw Spring	CD-SPR-236	1
⑤	Bushing	CD-BSH-237	1
⑥	Flat Head Socket, 5/8"-11 x 3-1/2", Grade 5	BLT-301-19	1
⑦	Hex Lock Nut, 5/8" -11, Grade"B"	NUT-303-3	1
⑧	Flat Washer, 5/8", Plain	WSH-304-5	1
⑨	Flat Washer 3/4", Plain	WSH-304-8	1
⑩	Cotter Pin, 3/16" x 1"	PIN-165	3
⑪	Cotter Pin, 5/32" x 1"	PIN-306-3	1
⑫	Clevis Pin, 3/4" x 3"	PIN-307-1	1
⑬	Bushing, 7/16"	BSH-115	1
⑭	Wedge Stop Rod w/ Nut	CD-ROD-234	1
⑮	Wedge Stop Rod Spring	CD-SPR-315	1
⑯	Bracket Pin	CD-PIN-224	2
⑰	Bracket Retainer Pin	PIN-124	2
⑱	Pull Handle	CD-HAN-225	1
⑲	Operating Handle	CD-OPR-226	1
⑳	Hex Head Bolt, 3/8" -16 x 1", Grade 2	BLT-302-1	2
㉑	Hex Head Flanged Bolt, also includes Flanged Nut, 1/2" -13 x 2", Grade 5	BLT-302-70	1
㉒	Hex Lock Nut, 3/8" -16, Grade 5	NUT-303-1	2
㉓	Grease Fitting	MSC-375	2
㉔	Handle Grip	PUL-GRIP	1
㉕	Lock Pin	PIN-331	1
㉖	Hair Pin Cotter	PIN-336-1	1
㉗	Chain	CD-SCD-337	1

## Minimum Static Load Warning

THE TRAILER THAT IS ATTACHED TO THE FIFTH WHEEL SHOULD IMPOSE A CONSISTENT VERTICAL LOAD. REPEATED NEGATIVE LOADING (TRYING TO PULL THE FIFTH WHEEL OFF OF THE BRACKETS WITH THE KINGPIN) IS NOT ALLOWED. A MINIMUM STATIC LOAD APPLIED TO THE FIFTH WHEEL THROUGH THE TRAILER IS 10% OF THE GROSS TRAILER WEIGHT. SEE THE LOAD RATING FOR THE SPECIFIC FIFTH WHEEL FOR MAXIMUM VERTICAL LOAD VALUES.

Item No.	Description	Quantity
<b>KIT-RPR-S500</b>		
Custom Duty Repair Kit		
1	Jaw and Wedge Set	1
2	Wedge Stop Rod Guide	1
3	Pull Handle Spring Set	1
4	Jaw Spring	1
5	Bushing	1
6	Flat Head Socket, 5/8"	1
7	Hex Lock Nut, 5/8"	1
8	Flat Washer, 5/8"	1
9	Flat Washer, 3/4"	1
10	Cotter Pin, 3/16"x1"	3
11	Cotter Pin, 5/32" x 1"	1
12	Clevis Pin, 3/4"x3"	1
13	Bushing, 7/16"	1
21	Hex Head Flanged Bolt/Nut	1
<b>KIT-CD-ROD</b>		
Custom Duty Wedge Stop Rod Set		
14	Wedge Stop Rod w/ nut	1
15	Wedge Stop Rod Spring	1
<b>KIT-CD-STOP</b>		
Custom Duty Wedge Stop Rod Guide Set		
2	Wedge Stop Rod Guide	1
20	Hex Head Bolt, 3/8"	2
22	Hex Lock Nut, 3/8"	2
<b>KIT-CD-HDL</b>		
Custom Duty Handle Kit		
5	Bushing	1
6	Flat Head Socket, 5/8"	1
7	Hex Lock Nut, 5/8"	1
8	Flat Washer, 5/8"	1
10	Cotter Pin, 3/16"x1"	3
11	Cotter Pin, 5/32" x 1"	1
13	Bushing, 7/16"	1
18	Pull Handle	1
19	Operating Handle	1
21	Hex Head Flanged Bolt/Nut	1
24	Handle Grip	1
25	Lock Pin	1
26	Hair Pin Cotter	1
27	Chain	1
<b>KIT-CD-PIN-224</b>		
Custom Duty Bracket Pin and Bushing Set		
10	Cotter Pin, 3/16" x 1"	2
16	Bracket Pin	2
17	Bracket Retainer Pin	2
Not Pictured	Bracket Bushing (pr)	1
<b>KIT-CD-LOCK-PIN</b>		
Custom Duty Lock Pin & Chain Set		
25	Lock Pin	1
26	Hair Pin Cotter	1
27	Chain	1

# CD 700 CUSTOM DUTY PARTS & ASSEMBLIES LIST

## CD700 MODEL

### Assemblies

Part Number	Description	Total Weight (lbs.)
SLCD7FM5750*	CD700 with bracket for stationary mounting	174.0
SLCD7PA6125	CD700 with a 6.125" plate mount.	206.0
CD7AWB675024	CD700 with a 6.75 air slide bracket and 24" slide rail.	518.0

### Kits

Part Number	Description	Total Weight (lbs.)
KIT-RPR-S500	Repair Kit	7.0
KIT-CD-ROD	Wedge Stop Rod Kit	1.0
KIT-CD-STOP	Stop Rod Guide Kit	1.0
KIT-CD-HDL	Operating and Pull Handle Kit	9.0
KIT-CD-PIN-224	Bracket Pin and Bushing Kit.	4.0
KIT-CD-LOCK-PIN	Lock Pin & Chain Kit	3.0

### Replacement Parts

Part Number	Description	Total Weight (lbs.)
SLTPLCD700	CD700 Replacement Fifth Wheel Top Plate	135.0
BKTCDFLT	Bracket for the SLCDPA6125	70.0
BKTCDF*	Bracket for the SLCD7FM5750	38.0
CDBKTAWB6PT	CD Air Slide Bracket 6.75" Height	264.0
CDASYAWB624	6.75" CD AWB bracket with a 24" CD slide rail.	382.0
CDSL24B	24" CD Slide Rail	118.0
CYL-5AWB-1	AWB Air Cylinder	6.2
LOC-669	Locking Wedge (pair)	7.0

### Replacement Parts (sold in case quantities only)\*\*

Part Number	Description	Qty. Per Case	Total Weight (lbs.)
BLT-301-19	Flat Head Socket, 5/8"-11 x 3-1/4", Grade 5	10	2.5
BSH-115	Bushing, 7/16"	25	2.0
NUT-303-1	Hex Lock Nut, 3/8" - 16, Grade "B"	25	1.6
NUT-303-3	Hex Lock Nut, 5/8" - 11, Grade "B"	25	1.8
PIN-124P	Bracket Retainer Pin (Pair)	6 Pairs	2.5
PIN-307-1	Clevis Pin, 3/4" x 3"	20	10.0
PIN-331	Lock Pin	20	1.3

\* Some welding is required.

\*\* These parts are shipped direct from Fontaine International in case quantities only. They may be available in individual quantities from your local distributor/ dealer.



World Wide Headquarters • 171 Cleage Drive • Birmingham, Alabama 35217 • 800-874-9780 • Fax 205-854-1211  
www.fifthwheel.com