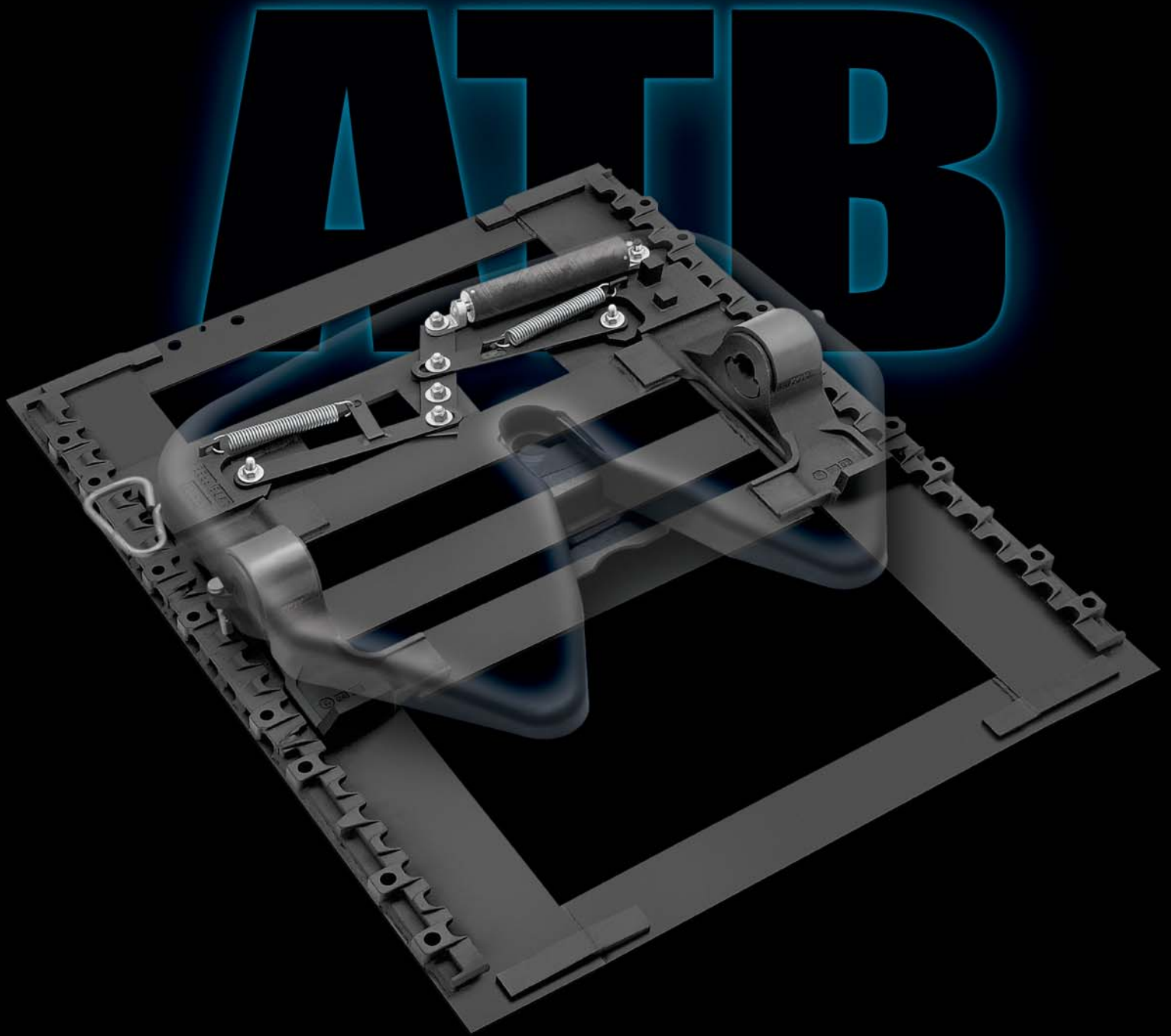


Introducing the Fontaine® ATB Bracket

*New computer aided design is
almost 40 pounds lighter without sacrificing
strength, durability or capacity!*



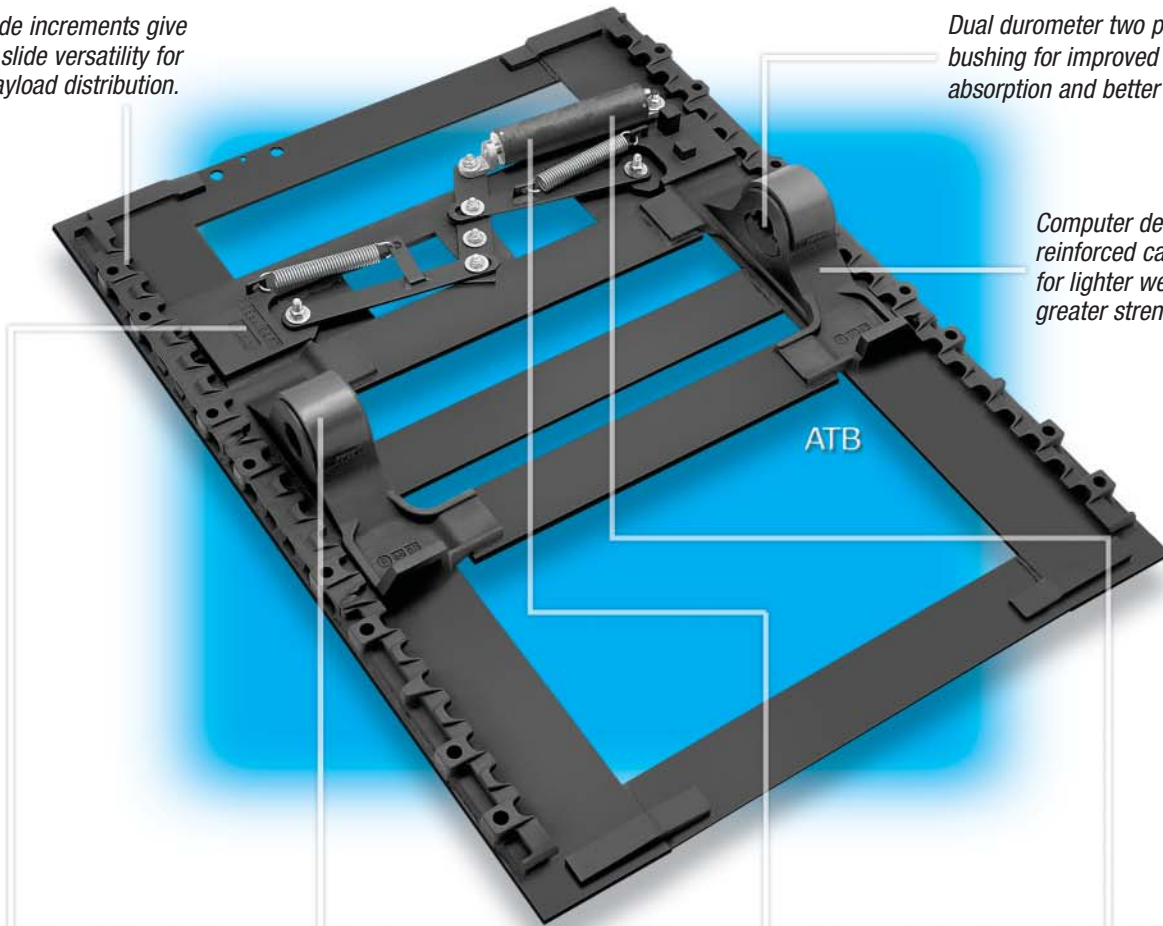
Stronger. Lighter. Better. What else can we do for you?

Introducing the Fontaine® ATB/MTB Fifth Wheel Mounting Bracket

Two inch slide increments give you greater slide versatility for improved payload distribution.

Dual durometer two piece bushing for improved shock absorption and better support.

Computer designed reinforced cast bracket for lighter weight and greater strength.



New Quad-Lock™ four point locking system increases locking surface area for greater stability and improved wear characteristics.



New greaseless bracket liner gives you consistent lubrication, reduces wear (no metal-to-metal contact) and cuts maintenance costs.



Composite air cylinder features improved sealing performance and superior corrosion resistance for longer service life.



For customers preferring a manual slide rather than an air slide, Fontaine® offers the MTB model in the same sizes as the ATB.



Fontaine International

World Wide Headquarters • 5000 Grantswood Road • Suite 200 • Irondale, Alabama 35210 • 800-874-9780 • Fax 205-421-4440

www.fifthwheel.com