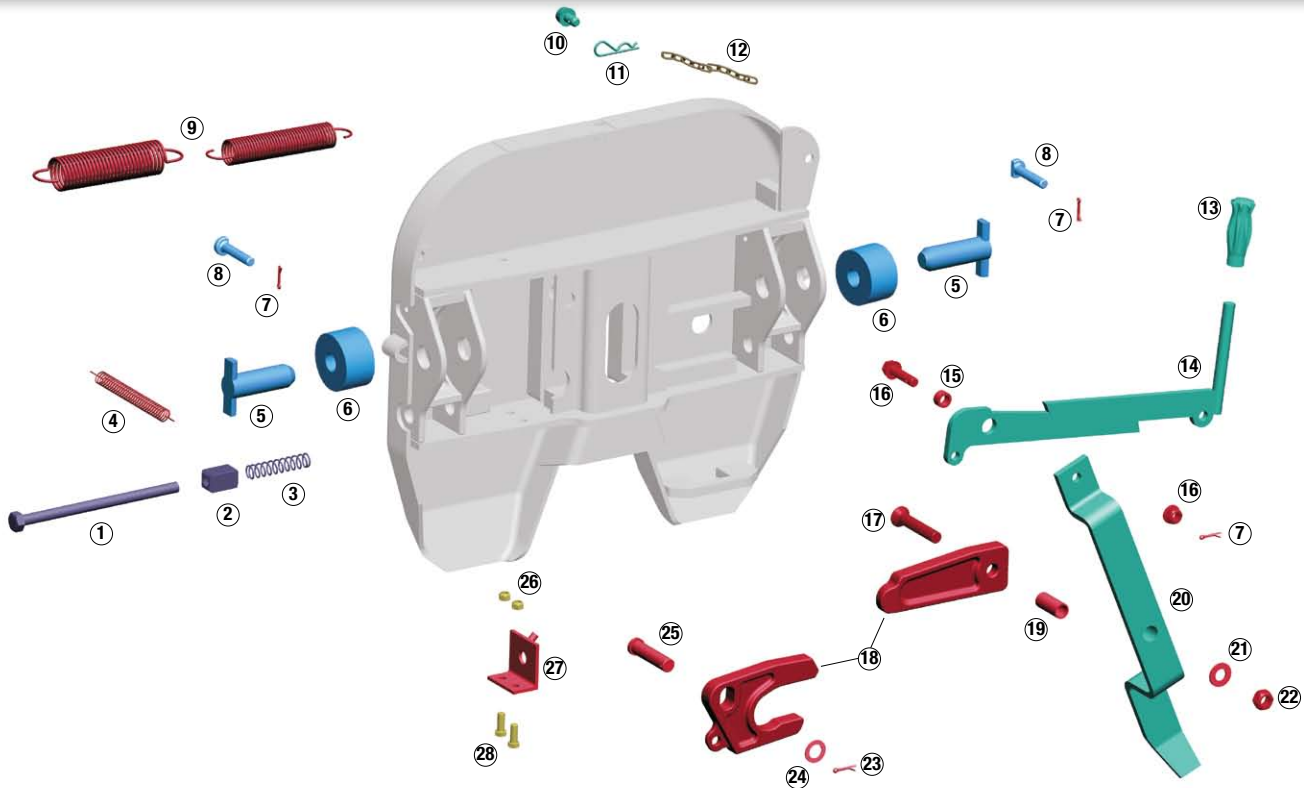


# CD 700/600 series custom duty top plate kits



### Rebuild kit (KIT-RPR-S500)

Item	Description	Quantity
④	Jaw spring	1
⑦	Cotter pin, 3/16" x 1"	3
⑨	Pull handle spring set	1
⑮	Bushing, 7/16"	1
⑯	Hex head flanged bolt, nut	1
⑰	Flat head socket, 5/8"-11 x 3-1/2", grade 5	1
⑱	Jaw and wedge set	1
⑲	Bushing	1
⑳	Flat washer, 5/8", plain	1
㉑	Hex lock nut, 5/8" -11, grade "B"	1
㉒	Cotter pin, 5/32" x 1"	1
㉓	Flat washer 3/4", plain	1
㉔	Clevis pin, 3/4" x 3"	1
㉘	Wedge-stop rod guide	1

### Wedge-stop rod kit (KIT-CD-ROD)

Item	Description	Quantity
①	Wedge-stop rod	1
②	Wedge-stop rod nut	1
③	Wedge-stop rod spring	1

### Wedge-stop rod guide kit (KIT-CD-STOP)

Item	Description	Quantity
㉖	Hex lock nut, 3/8" -16, grade 5	2
㉗	Wedge-stop rod guide	1
㉘	Hex head bolt, 3/8" -16 x 1", grade 2	2

### Bracket pin kit (KIT-CD-PIN-224)

Item	Description	Quantity
⑤	Bracket pin	2
⑥	Bracket bushing	2
⑦	Cotter pin, 3/16" x 1"	2
⑧	Bracket retainer pin	2

### Lock pin kit for 700 (KIT-CD7-LOCKPIN)

### Lock pin kit for 600 (KIT-CD6-LOCKPIN)

Item	Description	Quantity
⑩	Lock pin	1
⑪	Hair pin cotter	1
⑫	Chain	1

### Handle kit for 700 (KIT-CD-7HDL)

### Handle kit for 600 (KIT-CD-6HDL)

Item	Description	Quantity
⑦	Cotter pin, 3/16" x 1"	3
⑩	Lock pin	1
⑪	Hair pin cotter	1
⑫	Chain	1
⑬	Handle grip	1
⑭	Pull handle	1
⑮	Bushing, 7/16"	1
⑯	Hex head flanged bolt, nut	1
⑰	Flat head socket, 5/8"-11 x 3-1/2", grade 5	1
⑲	Bushing	1
⑳	Operating handle	1
㉑	Flat washer, 5/8", plain	1
㉒	Hex lock nut, 5/8" -11, grade "B"	1
㉓	Cotter pin, 5/32" x 1"	1